

## BM 4", 6" and 8" - 50 Hz and 60 Hz

Grundfos high pressure booster modules are used for boosting, liquid transfer and circulation in systems under a high static pressure.

Reverse osmosis in domestic water supply, hospitals, laboratories, the chemical, electronics and metal industries.

Ultra-filtration in chemical and galvanic industries, painting workshops, the metal and mineral industries.

## Applications

### Introduction

The Grundfos BM booster module is suitable for industrial and water supply applications requiring increased system pressure. For applications requiring ...

- sealless pumps,
- pumps able to cope with high system pressures,
- high pump heads,
- silent operation,
- operation with a minimum of maintenance.

**Grundfos BM booster modules** are the optimum solution.

### Typical applications

Typical applications for BM booster modules are:

- Water treatment, particularly ultra-filtration and reverse osmosis.
- Production of fresh water from sea water - desalination.
- Pressure boosting.
- Closed circulation systems with a high static pressure.



TM00 4144 1794

## Operating conditions

Flow: 50 Hz: Max. 160 m<sup>3</sup>/h, 704 USGPM,  
60 Hz: Max. 180 m<sup>3</sup>/h, 793 USGPM.

Head: Max. 470 m/1542 ft.

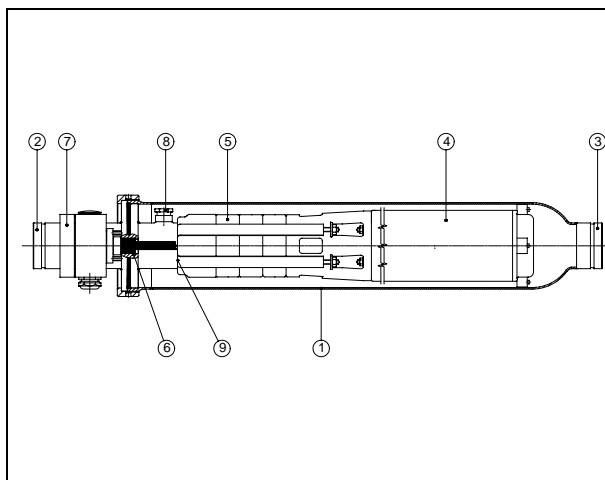
Temperature: Max. 40°C/104°F.

Outlet pressure: Max. 80 bar/1160 p.s.i.

Suction pressure: Max. 60 bar/870 p.s.i.

Customised pumps are available for applications requiring higher temperatures or flow rates. Contact Grundfos for further details.

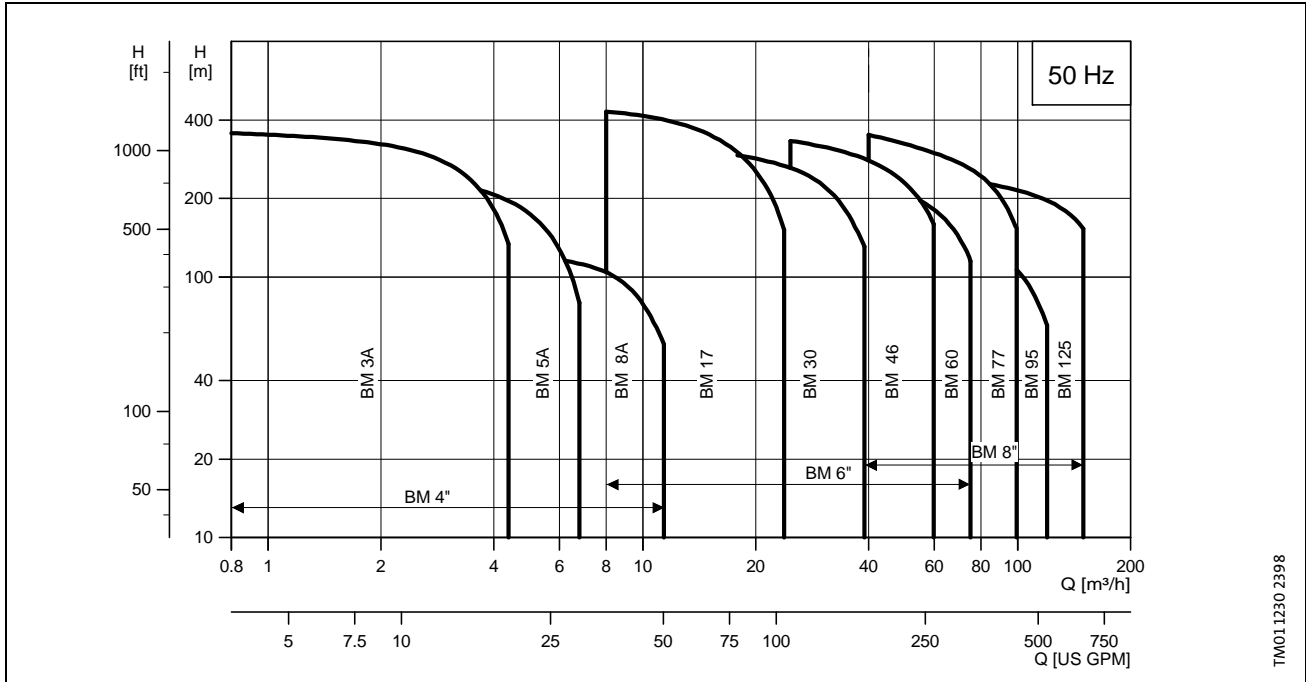
## Sectional drawings



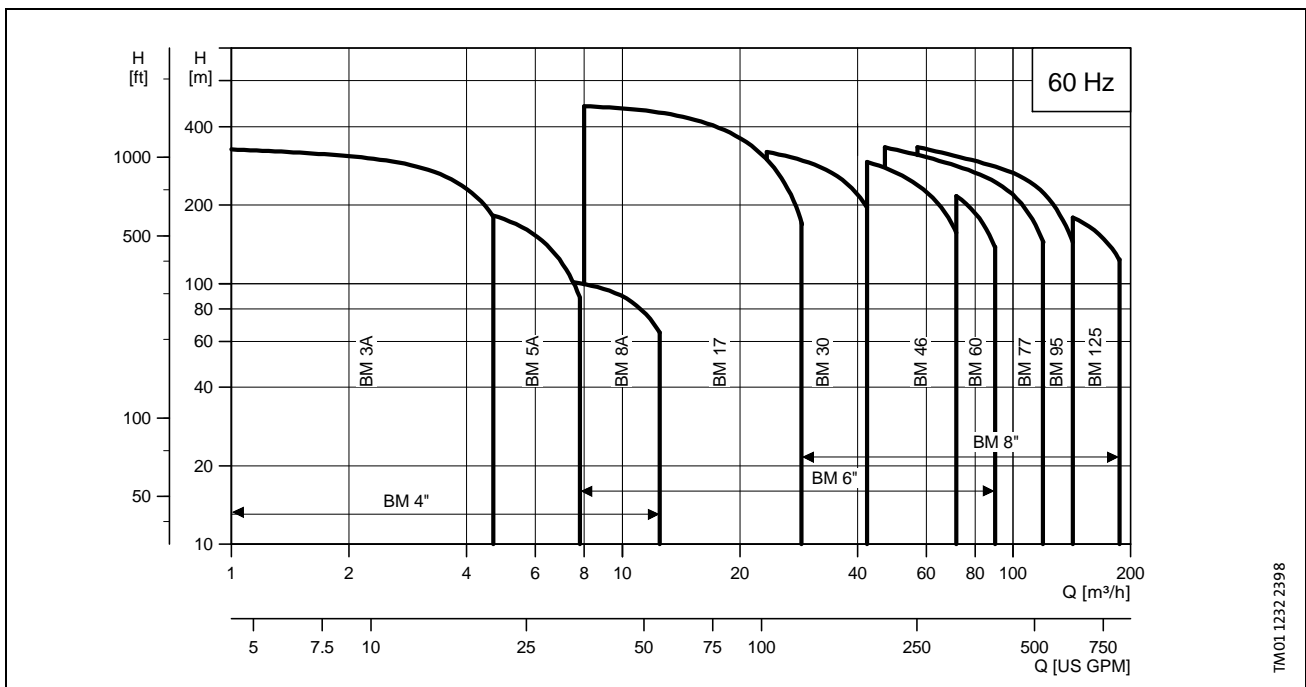
TM00 3796 3598

1. Sleeve
2. Discharge connection
3. Suction connection
4. Submersible motor
5. Submersible pump
6. Cable inlet
7. Terminal box
8. Inlet bypass valve
9. Locking system for BM 8".  
BM 4" and BM 6" have a left-hand thread for locking.

### Performance range, 50 Hz



### Performance range, 60 Hz



V7 14 44 53 06 03	<b>GB</b>
Repl. V7 14 44 53 09 98	

Subject to alterations.